



# *KIT T-LED*

Kit de emergencia para luminarias de LED que se alimentan directamente de la red.

Adecuado para luminarias y tubos de LED T5/T8 de 8W a 50W.

Mismo rendimiento lumínico tanto en red como en emergencia.

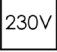



Emergency kit for LED luminaires with internal driver that are fed directly from the main.

Suitable for LED luminaires and LED tubes T5/T8 from 8W to 50W.

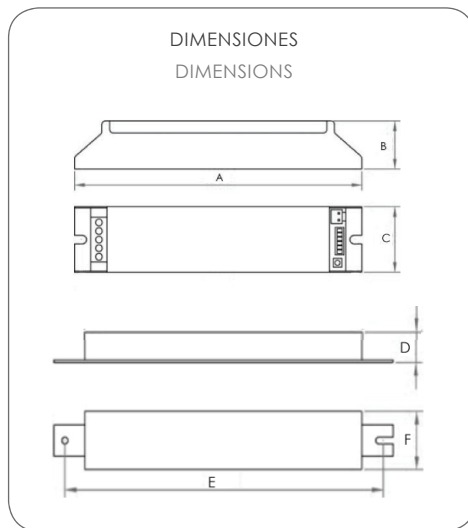
Same light output both main and emergency.

Iluminación de emergencia  
Emergency lighting

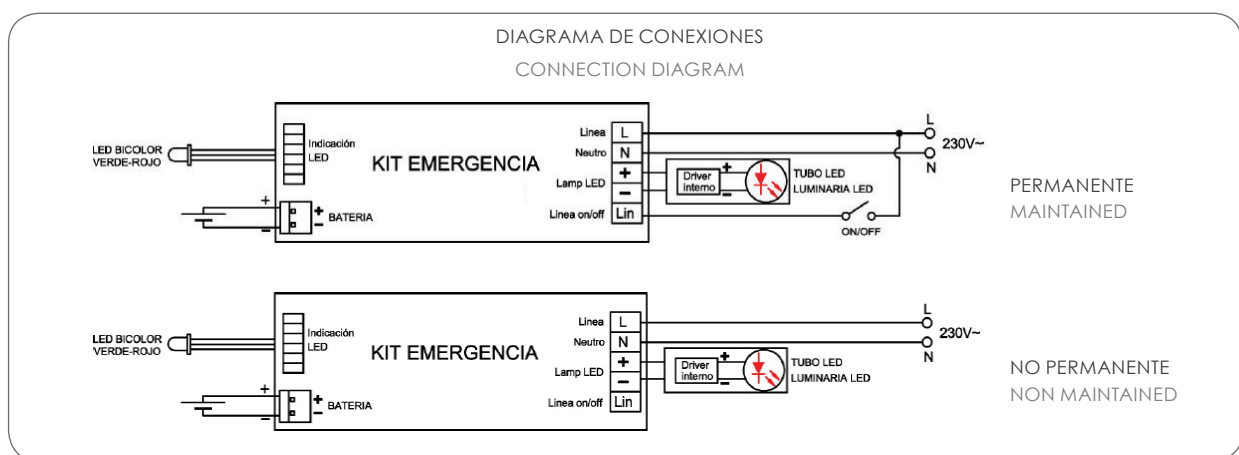
## ESPECIFICACIONES SPECIFICATIONS

-  230V 230V - 50/60Hz
-  IP IP20
-  Permanente/No permanente/Autotest  
Maintained/Non maintained/Self-test
-  Garantía 2 años  
2 year warranty

-  Clase II  
Class II
-  Marcado CE  
CE marked
-  24 horas  
24 hours
-  LiR/Li-Ion



	KIT T-LED 10-1	KIT T-LED 10-3	KIT T-LED PLUS	KIT T-LED PLUS 50
A	149 mm	149 mm	168 mm	122 mm
B	28 mm	28 mm	28 mm	31,5 mm
C	40 mm	40 mm	38 mm	78 mm
D	24 mm	25 mm	20 mm	37 mm
E	80 mm	145 mm	230 mm	230 mm
F	37 mm	38 mm	37 mm	37 mm



www.trqsl.com

### PERMANENTE/NO PERMANENTE/AUTOTEST - MAINTAINED/NON MAINTAINED/SELF-TEST

IP20

Código Code	Modelo Model	IP	Peso Weight	Autonomía Autonomy	Batería Battery	Lámpara LED LED lamp
32116	KIT T-LED 10-1	20	0.23	1	Li-Ion 7.4V 2.2Ah	<10W
32118	KIT T-LED 10-3	20	0.28	3	Li-Ion 7.4V 5.2Ah	<10W
32102	KIT T-LED PLUS	20	0.69	1	LiR 11V 4.4Ah	8W - 25W
32105	KIT T-LED PLUS 50	20	0.67	1	Li-Ion 11.1V 6.6Ah	<50W

\*Fabricado según la norma UNE-EN 61347-2-13/ Manufactured according to standard UNE-EN 61347-2-13.